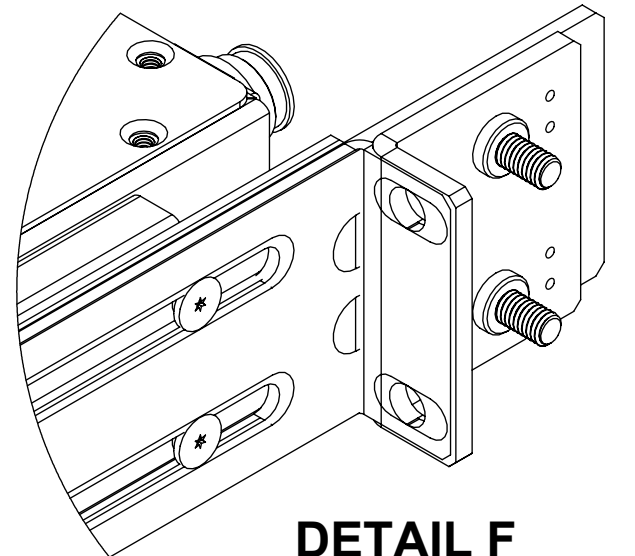
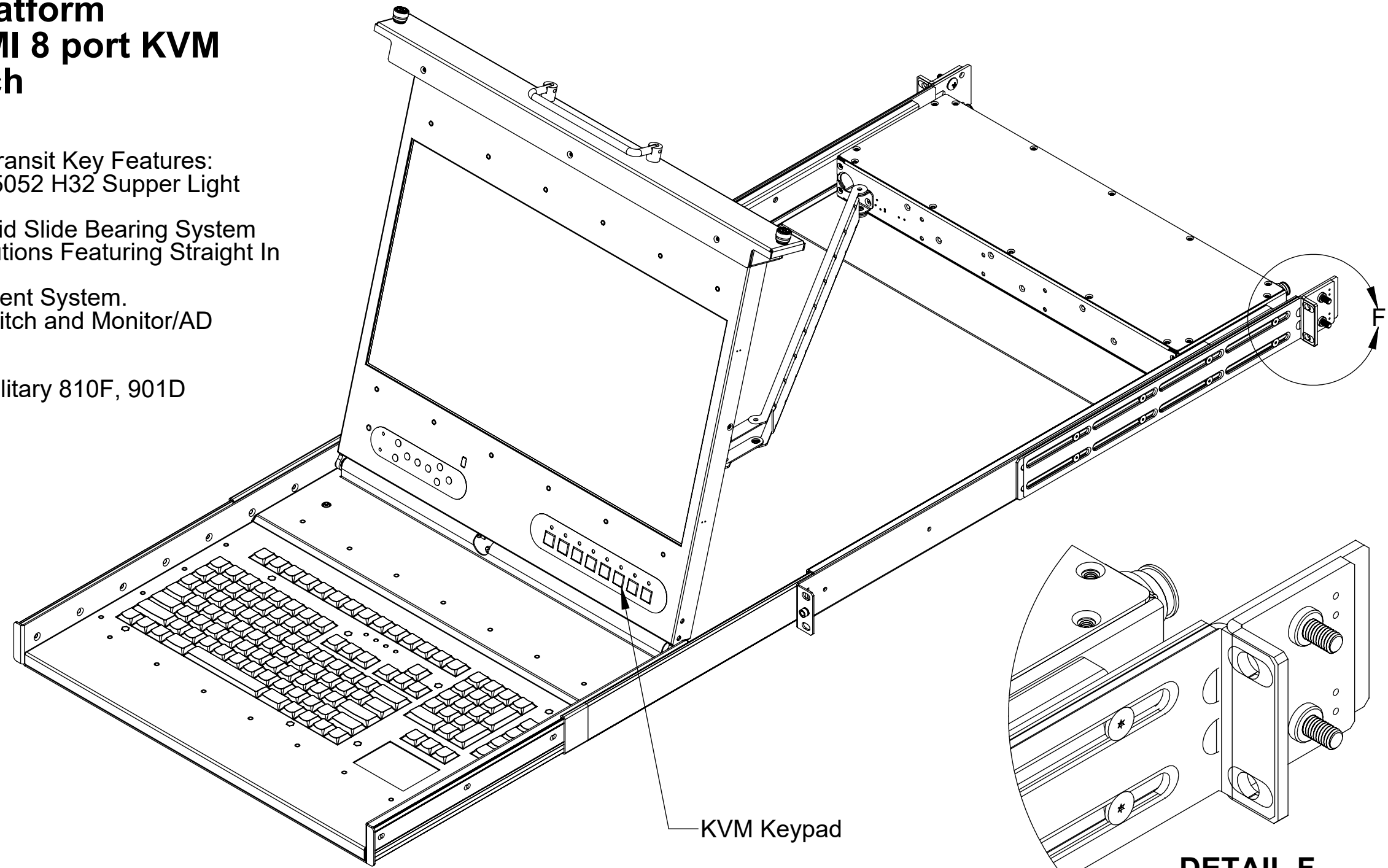


# MRC24 Platform Shown With HDMI 8 port KVM Switch

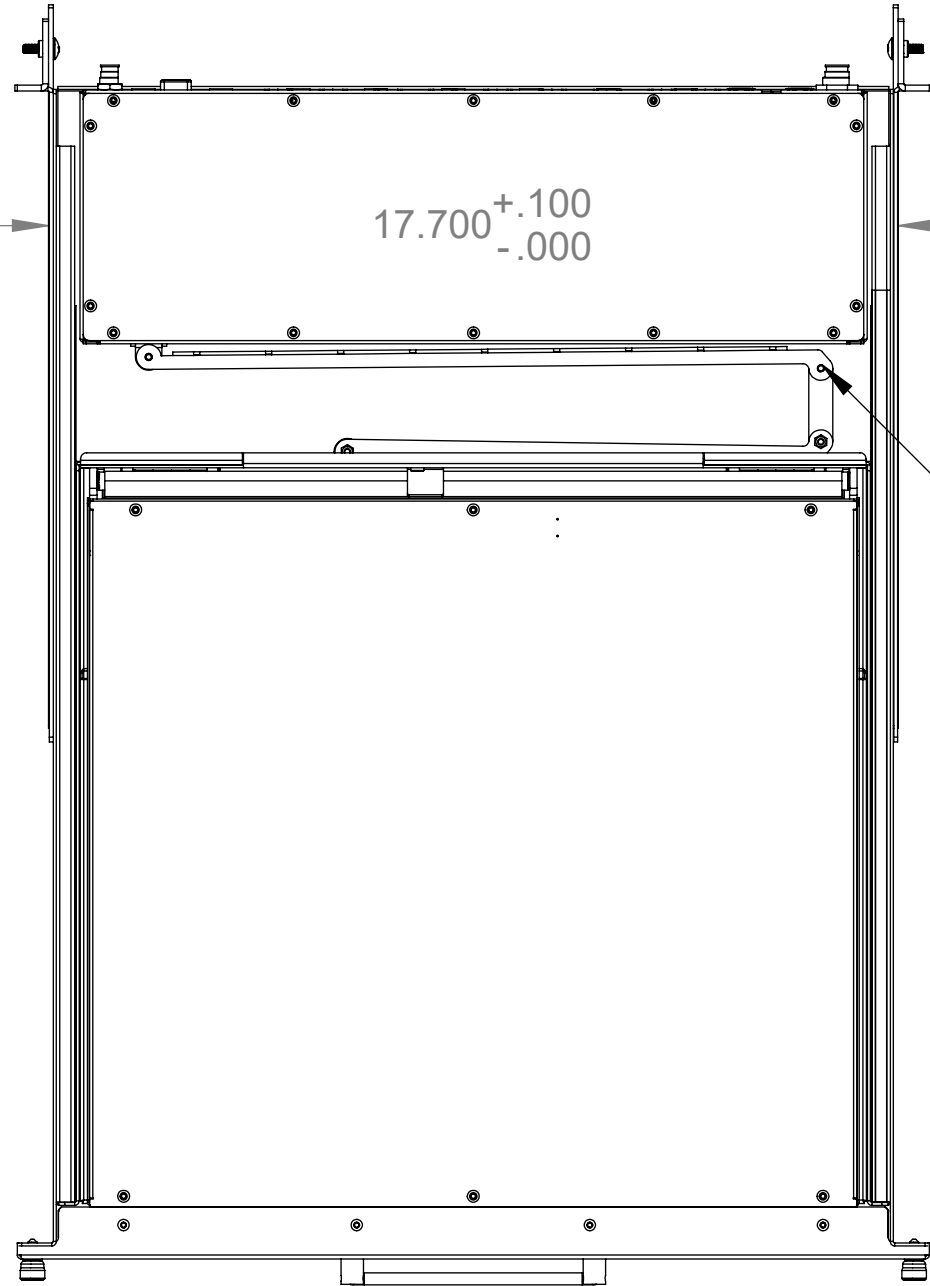
The widest point on our frame  
is 17.700"  $17.700^{+.100}_{-.000}$  Including the Mounting Screws.  
So fitting in the Hardigg Transit  
Case will not be a problem.

- CAT= Clamshell Aluminum Transit Key Features:
- All Aluminum 6061 T6 and 5052 H32 Supper Light Construction,
  - Custom General Device Solid Slide Bearing System
  - Transit Case Rear Arm Solutions Featuring Straight In 5 min. Installation.
  - Integrated Cable Management System.
  - Multiple Keyboard, KVM Switch and Monitor/AD controller Solutions
  - Multiple Front Face Options
  - Built for Transit and Light Military 810F, 901D Aplications

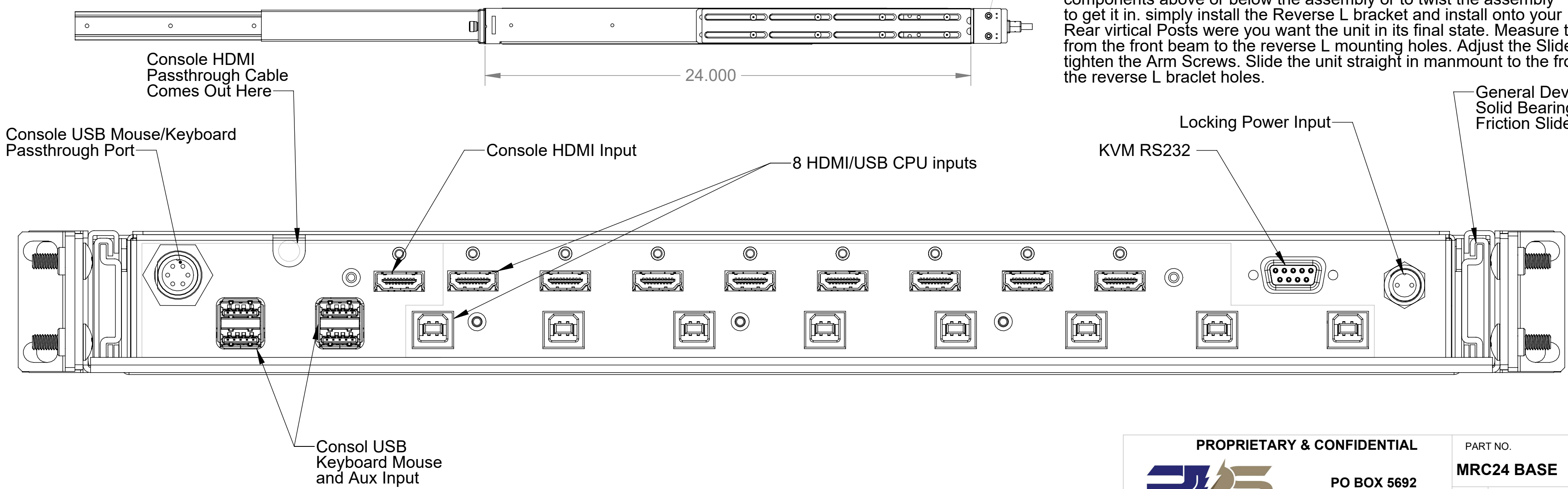
Integrated Caged Cable Guide System for beter cable Management




$17.700^{+.100}_{-.000}$



Revers L Transit Case Arms can be adjusted to fit almost any transit case dept. **from 24" to over 32"**. The benefit of our transit case arms is the **straight** installation. no need to remove components above or below the assembly or to twist the assembly to get it in. simply install the Reverse L bracket and install onto your Rear virtual Posts were you want the unit in its final state. Measure the distance from the front beam to the reverse L mounting holes. Adjust the Slide arms and tighten the Arm Screws. Slide the unit straight in manmount to the fron beam and the reverse L bracket holes.



**PROPRIETARY & CONFIDENTIAL**



PO BOX 5692  
Lago Vista, TX 78645  
www.republicpower  
systems.com

PART NO. <b>MRC24 BASE</b>		REV <b>03</b>
SIZE <b>C</b>	SCALE: 1:4	
SHEET 1 OF 1		