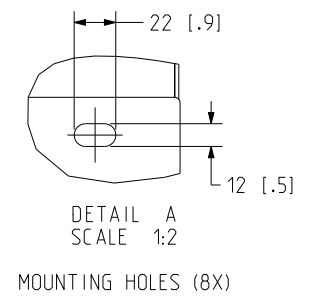
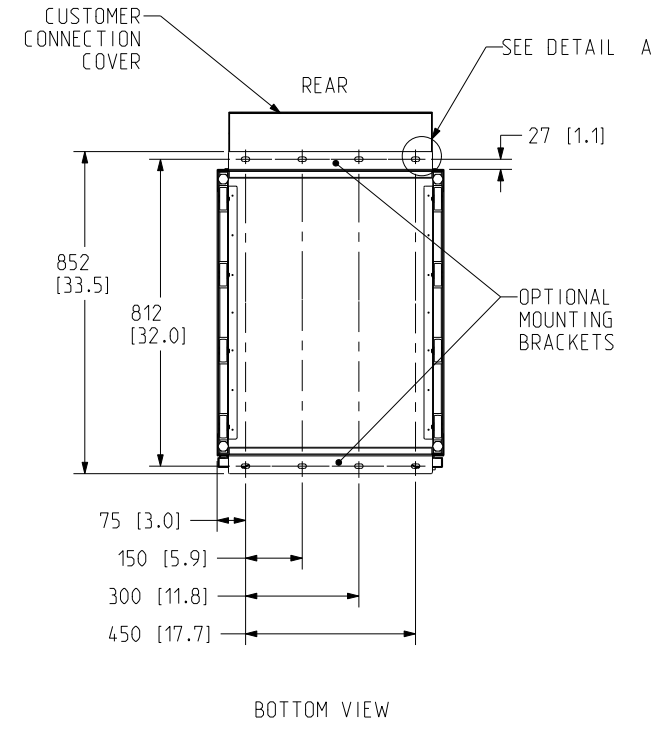
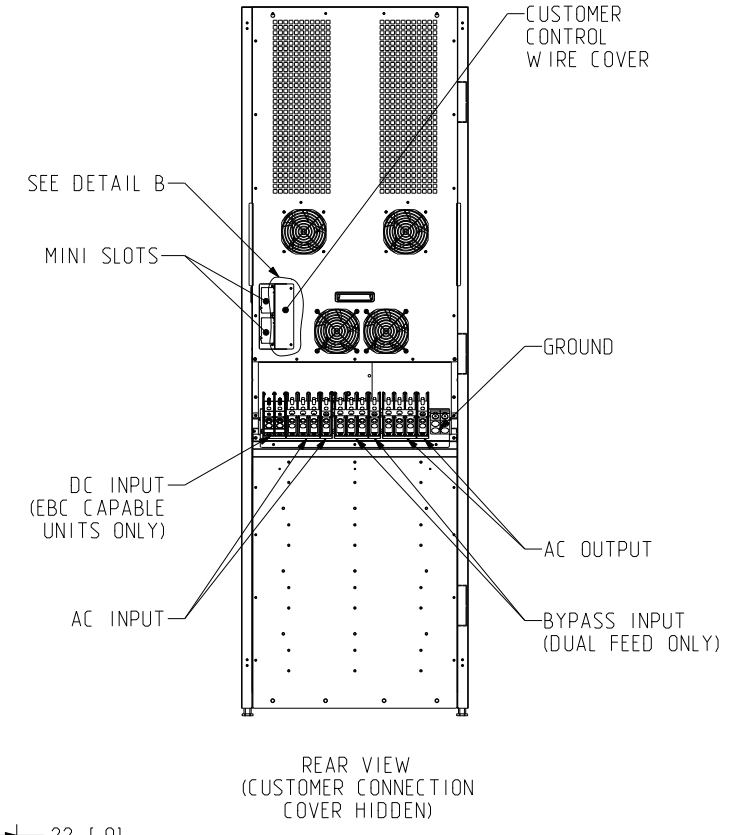
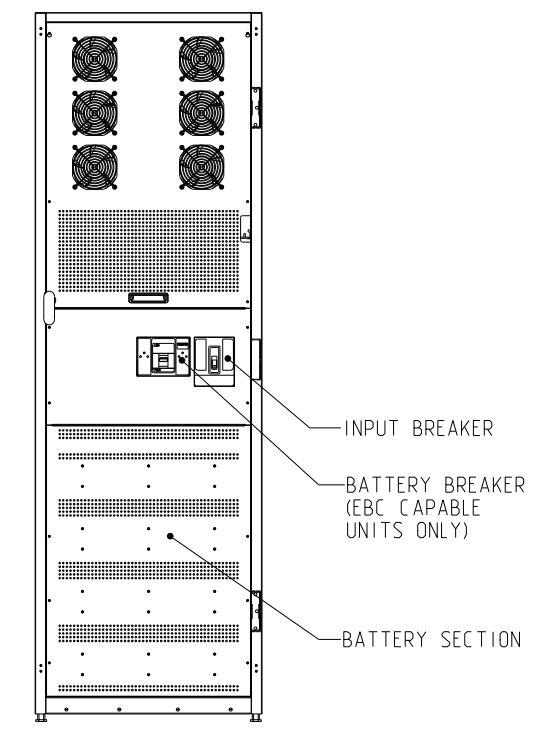
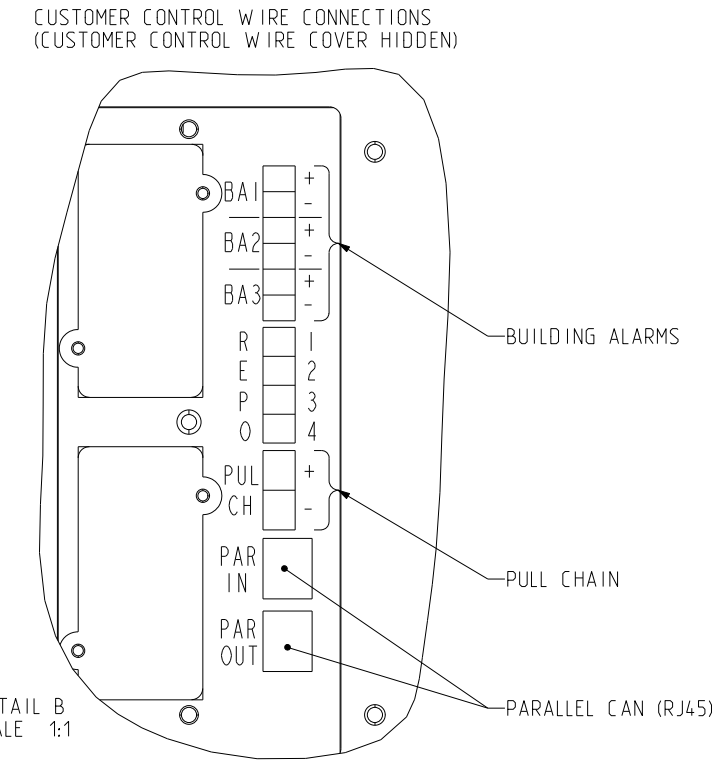
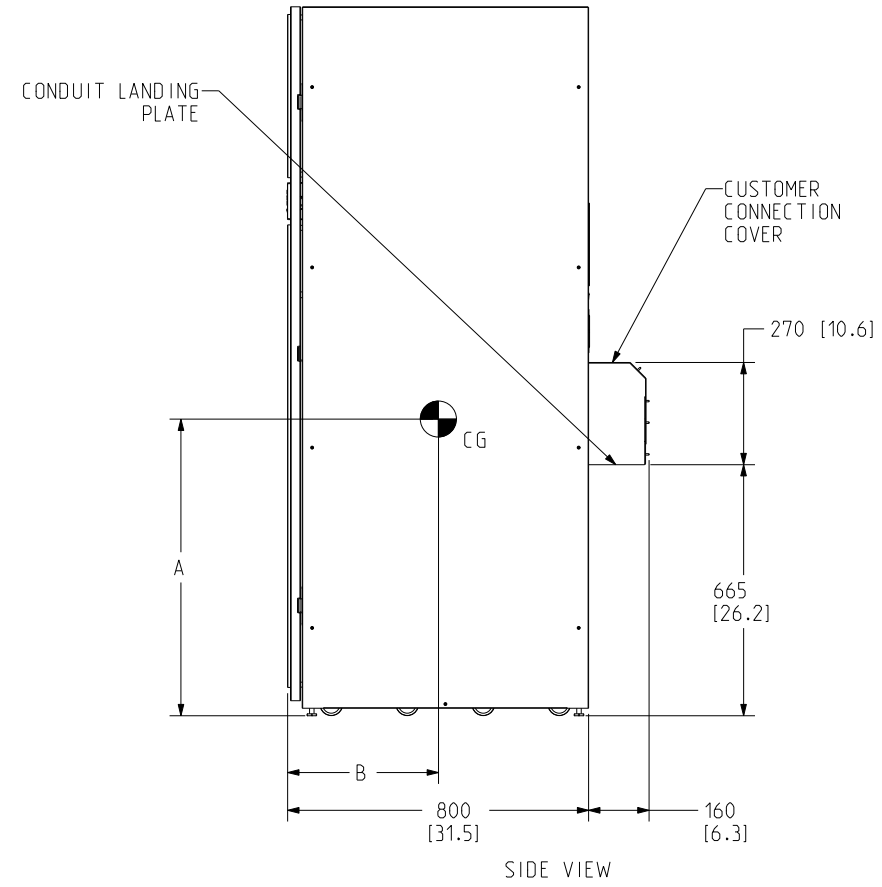
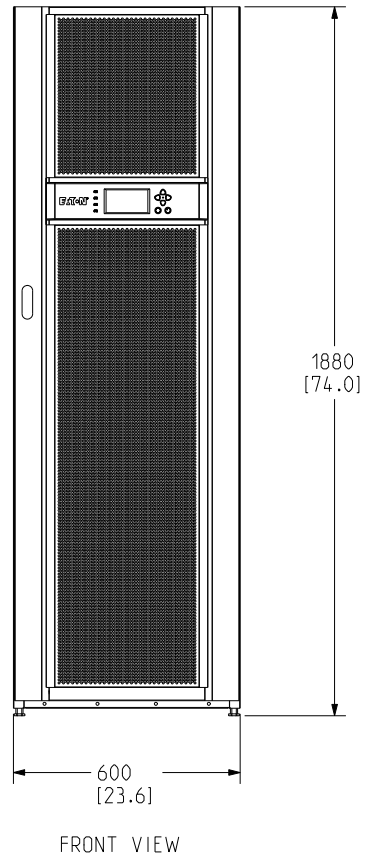


- NOTES
- FOR OPTIONAL MOUNTING BRACKETS USE SHIPPING BRACKETS. INSTALLED HEIGHT WITH MOUNTING BRACKETS IS 1876mm [73.85"].
 - CENTER OF GRAVITY AND WEIGHT: SEE TABLE
 - THE SYSTEM MUST BE INSTALLED ON A LEVEL FLOOR SURFACE SUITABLE FOR COMPUTER OR ELECTRONIC EQUIPMENT.
 - THE SYSTEM MUST BE INSTALLED IN A TEMPERATURE AND HUMIDITY CONTROLLED INDOOR AREA FREE OF CONDUCTIVE CONTAMINANTS.
 - AMBIENT TEMPERATURE RANGE 0-30degC [32-86degF] AT AN ELEVATION OF 0 TO 1500 M RECOMMENDED OPERATING RANGE: 20-25degC [68-77degF] MAXIMUM RELATIVE HUMIDITY: 95% NON-CONDENSING.
 - MINIMUM 900mm [36"] FRONT ACCESS AND 900mm [36"] REAR ACCESS NEEDED FOR SERVICING.
 - MINIMUM 200mm [8"] CLEARANCE IN REAR, NOT INCLUDING CUSTOMER CONNECTION COVER, IS NEEDED FOR VENTILATION EXHAUST.
 - MINIMUM 650mm [25.6"] CLEARANCE IN FRONT IS NEEDED FOR COOLING AIR INTAKE AND DOOR SWING.
 - TOTAL OPERATIONAL AIR FLOW FOR CABINET AT FULL LOAD IS 618 CFM.
 - THE UPS CABINET CAN BE INSTALLED IN LINE-UP-AND-MATCH OR STANDALONE CONFIGURATIONS.
 - BOTTOM CABLE ENTRY THROUGH REMOVABLE CONDUIT LANDING PLATE. PLATE SHALL BE CUSTOM MODIFIED TO SUIT CONDUIT SIZES.
 - CONTROL WIRE CONDUIT CAN LAND ON CONDUIT LANDING PLATE OR IF FLEXIBLE ON CUSTOMER CONTROL WIRE COVER.
 - CUSTOMER WIRING MUST USE 90°C COPPER WIRE ONLY. REFER TO TABLES FOR CUSTOMER WIRING FOR WIRE SIZES.
 - ALL WIRING IS TO BE IN ACCORDANCE WITH NATIONAL AND LOCAL ELECTRIC CODES.
 - AC INPUT TO UPS RECTIFIER (0.98 MIN PF): 3 PHASES, NEUTRAL, GROUND.
AC OUTPUT TO LOAD: 3 PHASES, NEUTRAL, GROUND.
AC INPUT TO UPS BYPASS (DUAL FEED ONLY): 3 PHASES, NEUTRAL, GROUND.
DC INPUT TO UPS (EXTERNAL BATTERY ONLY): POSITIVE, NEGATIVE, GROUND.
 - SPECIFICATIONS ARE SUBJECT TO CHANGE.

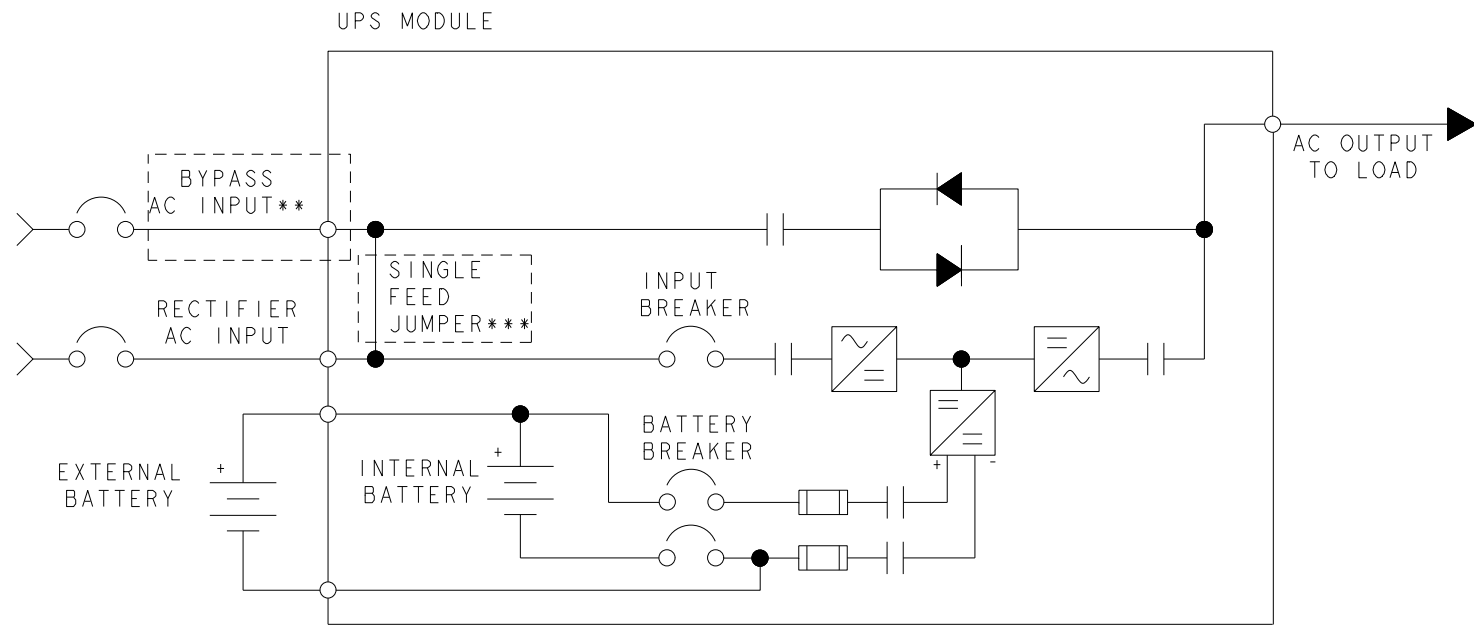


INSTALLED WEIGHT AND CENTER OF GRAVITY				
UPS CONFIGURATION	A MM [IN.]	B MM [IN.]	C MM [IN.]	WEIGHT KG [LBS.]
93E-60/40 & 93E-60/60 WITH BATTERIES	785 [30.9]	399 [15.7]	300 [11.8]	680 [1499]
93E-40 (REDUCED BATTERIES)	815 [32.1]	399 [15.7]	300 [11.8]	590 [1301]

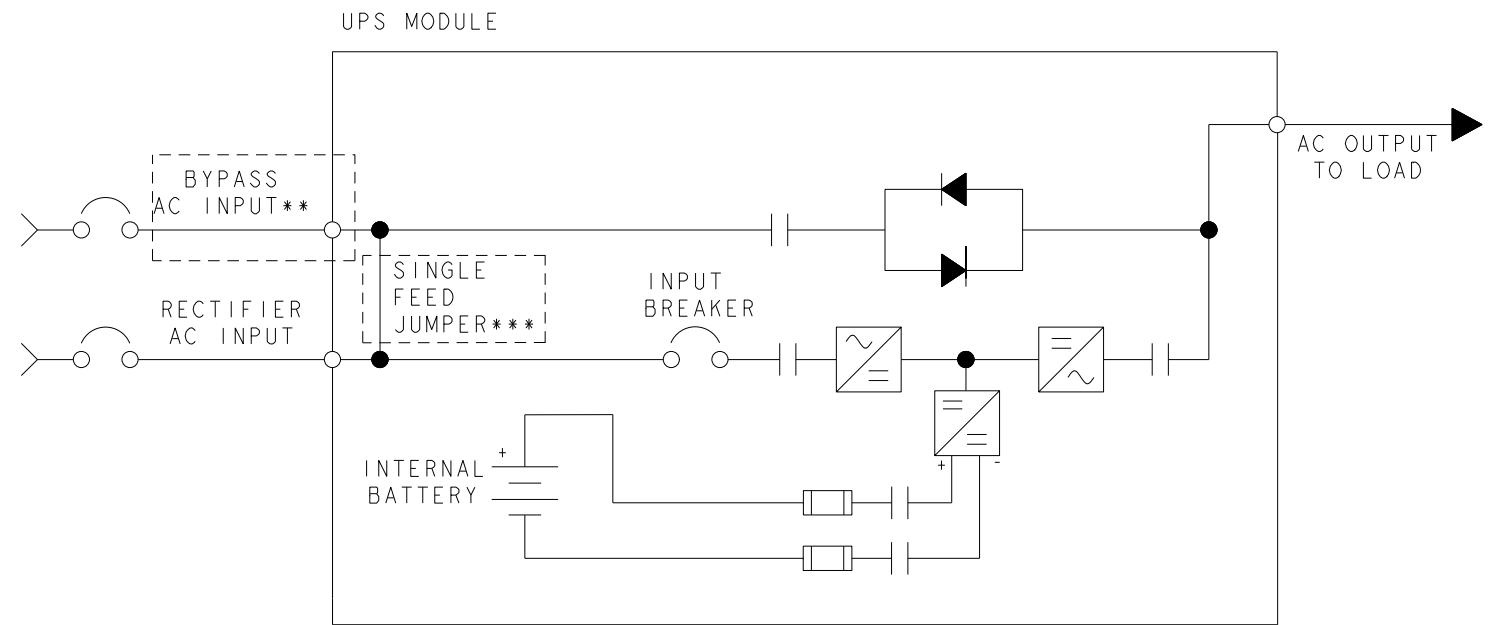
METRIC	THIRD ANGLE PROJECTION	EATON CORPORATION, ELECTRICAL	EATON	SIZE: D
DESCRIPTION: SITE PLAN DWG, 93E 60 UPS GEN 3				
MODIFIED BY: M. Carnes	DATE: 12-SEP-2013	UNLESS OTHERWISE SPECIFIED TOLERANCES ON DIMENSIONS ARE:		SCALE: 1:10
ECO: ECO-054334	STATE: Release	ANGLES: ±1/2°	DECIMALS: 0.X: ±0.75 X, (FOR X < 3): ±1	DO NOT SCALE
PRO-ENGINEER GENERATED		DIMENSIONS ARE IN MILLIMETERS (INCHES) AND AFTER PLATING		DRAWING OR CHANGE MANUALLY
		PART NAME: P-110000211	REVISION: 003	SHEET: 1 of 2

EATON CORPORATION - CONFIDENTIAL AND PROPRIETARY NOTICE TO PERSONS RECEIVING THIS DOCUMENT AND/OR TECHNICAL INFORMATION THIS DOCUMENT, INCLUDING THE DRAWING AND INFORMATION CONTAINED THEREON, IS CONFIDENTIAL AND IS THE EXCLUSIVE PROPERTY OF EATON CORPORATION, AND IS LOANED TO YOU AND SUBJECT TO RECALL BY EATON AT ANY TIME. BY TAKING POSSESSION OF THIS DOCUMENT, THE RECIPIENT ACKNOWLEDGES AND AGREES THAT THIS DOCUMENT CANNOT BE USED IN ANY MANNER ADVERSE TO THE INTERESTS OF EATON, AND THAT NO PORTION OF THIS DOCUMENT MAY BE COPIED OR OTHERWISE REPRODUCED WITHOUT THE PRIOR WRITTEN CONSENT OF EATON. IN THE CASE OF CONFLICTING CONTRACTUAL PROVISIONS, THIS NOTICE SHALL GOVERN THE STATUS OF THIS DOCUMENT. © 2008 Eaton Corporation. All Rights Reserved.

SCHMATIC
93E WITH INTERNAL BATTERIES AND EXTERNAL BATTERY CAPABILITY
(93E-60/40 AND 93E-60/60)



SCHMATIC
93E WITH INTERNAL BATTERIES ONLY
(93E-40)



PRODUCT SPECIFICATIONS

UPS RATING		AC INPUT VOLTAGE	AC OUTPUT VOLTAGE	RECTIFIER AC INPUT CURRENT	INVERTER AC OUTPUT CURRENT	MAX HEAT DISSIPATION AT 100% LOAD	BATTERY NAMEPLATE CURRENT (108 CELL, 2.00V/CELL)	MAX BATTERY CURRENT AT END OF DISCHARGING (108 CELL, 1.67V/CELL)
KVA	KW	VAC	VAC	NAMEPLATE	NAMEPLATE			
40	32	208/220	208/220	128/121	111/105	2.72 [9294]	165	198
60	48	208/220	208/220	185/181	167/157	4.08 [13,941]	248	297

- * REFER TO UPS MANUAL FOR TORQUE CONNECTIONS TO UPS
- ** INCLUDED WITH DUAL FEED OPTION ONLY
- *** INCLUDED WITH SINGLE FEED OPTION ONLY

CUSTOMER WIRING

WIRES	ACCEPTED WIRE RANGE	TORQUE RATING *	RECOMMENDED MINIMUM WIRE SIZE FOR 90°C COPPER STRANDED WIRE	
			N*m (LB.*In)	
INPUT PHASE WIRES	6 AWG TO 250 MCM	22.6 (200)	2/0	250 MCM
INPUT NEUTRAL WIRES	6 AWG TO 250 MCM (2X)	22.6 (200)	2/0 (2X)	250 MCM (2X)
BYPASS PHASE WIRES **	6 AWG TO 250 MCM	22.6 (200)	2/0	250 MCM
BYPASS NEUTRAL WIRES **	6 AWG TO 250 MCM (2X)	22.6 (200)	2/0 (2X)	250 MCM (2X)
OUTPUT PHASE WIRES	6 AWG TO 250 MCM	22.6 (200)	2/0	250 MCM
OUTPUT NEUTRAL WIRES	6 AWG TO 250 MCM (2X)	22.6 (200)	2/0 (2X)	250 MCM (2X)
BATTERY WIRES	6 AWG TO 250 MCM (2X)	22.6 (200)	2 AWG (2X)	1/0 (2X)
GROUND WIRES	6 AWG TO 300 MCM (2X)	31.1 [275]	4 AWG	2 AWG

SITE PLAN DRAWINGS
93E 60 ACCESSORIES

PART NUMBER	DESCRIPTION
P-110000020	93E-60 EBC
P-110000027	93E-60 IDC
P-110000029	93E-60 TIE
P-110000031	93E-60 TIE W/MBP
P-110000033	93E-60 MBP
P-110000069	93E-60 ITC
P-110000208	93E-60 MBS SC

METRIC		EATON CORPORATION, ELECTRICAL		EATON		SIZE: D
DESCRIPTION: SITE PLAN DWG, 93E 60 UPS GEN 3						
MODIFIED BY: M. Carnes	DATE: 12-SEP-2013	UNLESS OTHERWISE SPECIFIED TOLERANCES ON DIMENSIONS ARE:	SCALE: 2:25			
ECO: ECO-054334	STATE: Release	ANGLES: ±1/2°	DECIMALS: 0.X: ±0.75 X, (FOR X < 3): ±1	DO NOT SCALE		
PRO-ENGINEER GENERATED		PART NAME: P-110000211		REVISION: 003	SHEET: 2 of 2	

EATON CORPORATION - CONFIDENTIAL AND PROPRIETARY NOTICE TO PERSONS RECEIVING THIS DOCUMENT AND/OR TECHNICAL INFORMATION THIS DOCUMENT, INCLUDING THE DRAWING AND INFORMATION CONTAINED THEREIN, IS CONFIDENTIAL AND IS THE EXCLUSIVE PROPERTY OF EATON CORPORATION, AND IS LOANED TO YOU AND SUBJECT TO RECALL BY EATON AT ANY TIME BY TAKING POSSESSION OF THIS DOCUMENT. THE RECIPIENT KNOWS AND AGREES THAT THIS DOCUMENT CANNOT BE USED IN ANY MANNER ADVERSE TO THE INTERESTS OF EATON, AND THAT NO PORTION OF THIS DOCUMENT MAY BE COPIED OR OTHERWISE REPRODUCED WITHOUT THE PRIOR WRITTEN CONSENT OF EATON. IN THE CASE OF CONFLICTING CONTRACTUAL PROVISIONS, THIS NOTICE SHALL GOVERN THE STATUS OF THIS DOCUMENT. © 2008 Eaton Corporation. All Rights Reserved.